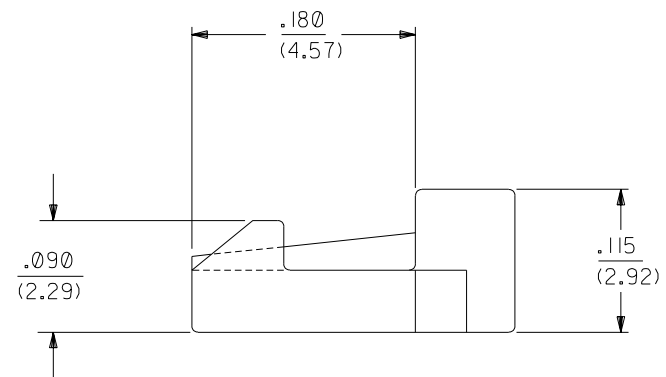


- NOTES:**
1. MATERIAL: NYLON PA 6/6, 94V-2. COLOR: NATURAL.
 2. PRODUCT SPECIFICATION: PS-5556-003.
 3. CPA TO BE USED WITH ALL 30067-* RECEPTACLE HOUSINGS AND 5557 RECEPTACLE HOUSINGS WITH STANDARD LATCH AND PULL TABS ON TOP OF HOUSING.



REVISE NOTE 3 EC NO. UCP2004-0947 DRWN: SCHAFER 03/11/13 CHK: POLGAR 03/11/14 APPR: MARGULIS 03/11/17	QUALITY SYMBOLS MAJOR $\nabla = 0$ CRITICAL $\nabla C = 0$	GENERAL TOLERANCES: (UNLESS SPECIFIED) mm INCH		SCALE 10:1 <input type="checkbox"/> mm <input checked="" type="checkbox"/> INCH	DESIGN UNITS <input type="checkbox"/> mm <input checked="" type="checkbox"/> INCH	DIMENSIONS: <input type="checkbox"/> mm <input checked="" type="checkbox"/> INCH <input type="checkbox"/> mm ONLY	SHT REV
		4 PLACES $\pm 0.$ $\pm .$	DRAWN BY & DATE BANDURA 02/06/04	TITLE: CONNECTOR POSITION ASSURANCE (CPA) FOR MINI-FIT T.P.A.			REVISION CAD ONLY
		3 PLACES $\pm 0.$ ± 0.10	CHECKED BY & DATE BANDURA 02/06/04	MOLEX INCORPORATED			
		2 PLACES ± 0.25 ± 0.14	APPROVED BY & DATE MARGULIS 02/06/06	MATERIAL NO. 15-97-0071	DRAWING NO. SD-30071-001	SHEET NO. 1 OF 1	
1 PLACE ± 0.35 $\pm .$	ANGLAR: $\pm 1/2^\circ$	CAD FILENAME	THIS DRAWING CONTAINS INFORMATION THAT IS PROPRIETARY TO MOLEX INCORPORATED AND SHOULD NOT BE USED WITHOUT WRITTEN PERMISSION.			SIZE B	
DRAFT WHERE APPLICABLE MUST REMAIN WITHIN DIMENSIONS							